

LINEAR ACTUATORS



Joyce linear actuators are designed to lift and precisely position loads of up to 1500 pounds. They are built with cast aluminum housings, include motors (120 VAC or 12 VDC), and are best suited for use in environments that are protected from the elements. A spring brake ensures that the actuators hold position when power is off. The maximum speed, which varies with load, is about 50 inches per minute (LA155).

Joyce linear actuators are designed for either double clevis or trunnion mounting. Standard travel lengths include 3, 6, 12, 18, and 24 inches. The restraining torque for the translating tube is 190 inch-pounds.

Specifications for AC models LA155L & LA155P:

- 120 VAC
- Limit switch available (LA155L)
- Limit switch and potentiometer available (LA155P)
- Approximate weight, 25 lbs + 0.5 lbs per inch of travel

Specifications for 12 VDC models LA152L & LA152C:

- 12 VDC
- Limit switch available (LA152L)
- Overload clutch available (LA152C)
- Approximate weight, 19 lbs + 0.5 lbs per inch of travel

Joyce/Dayton offers Linear Actuators in several designs including:

- 120 VAC with limit switch
- 120 VAC with limit switch and potentiometer
- 12 VDC with limit switch
- 12 VDC with clutch




A guide for ordering is on page 144.



LINEAR ACTUATORS ORDERING INFORMATION

Instructions: Select a model number from this chart.

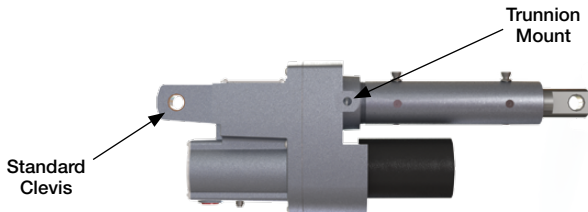
1500-Pound Capacity	
LA152 (12VDC)	LA155 (115VAC)

Sample Part Number: **LA152-L-SC-CL-12**

Options	
LA152 (DC)	LA155 (AC)
	
L=Limit Switch	
	L=Limit Switch or P=Potentiometer and Limit Switch
C=Clutch	

Screw End	
	
CL=Clevis End	TE=Threaded End

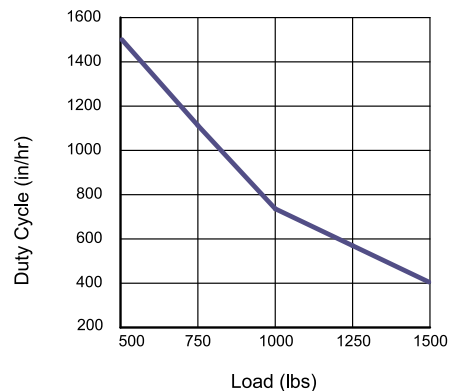
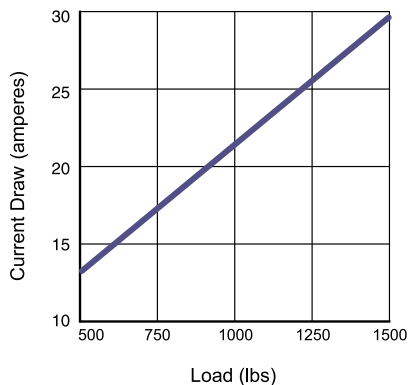
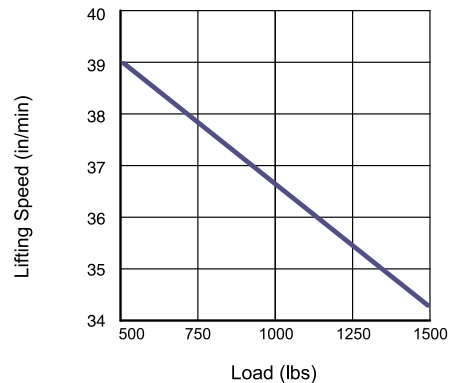
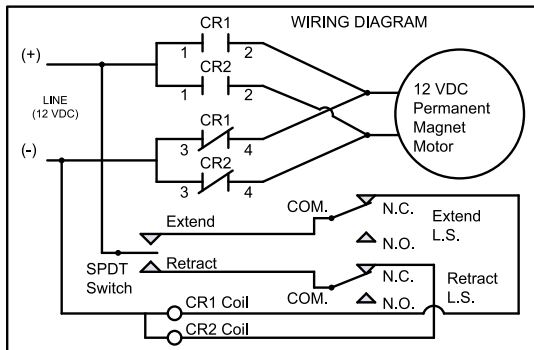
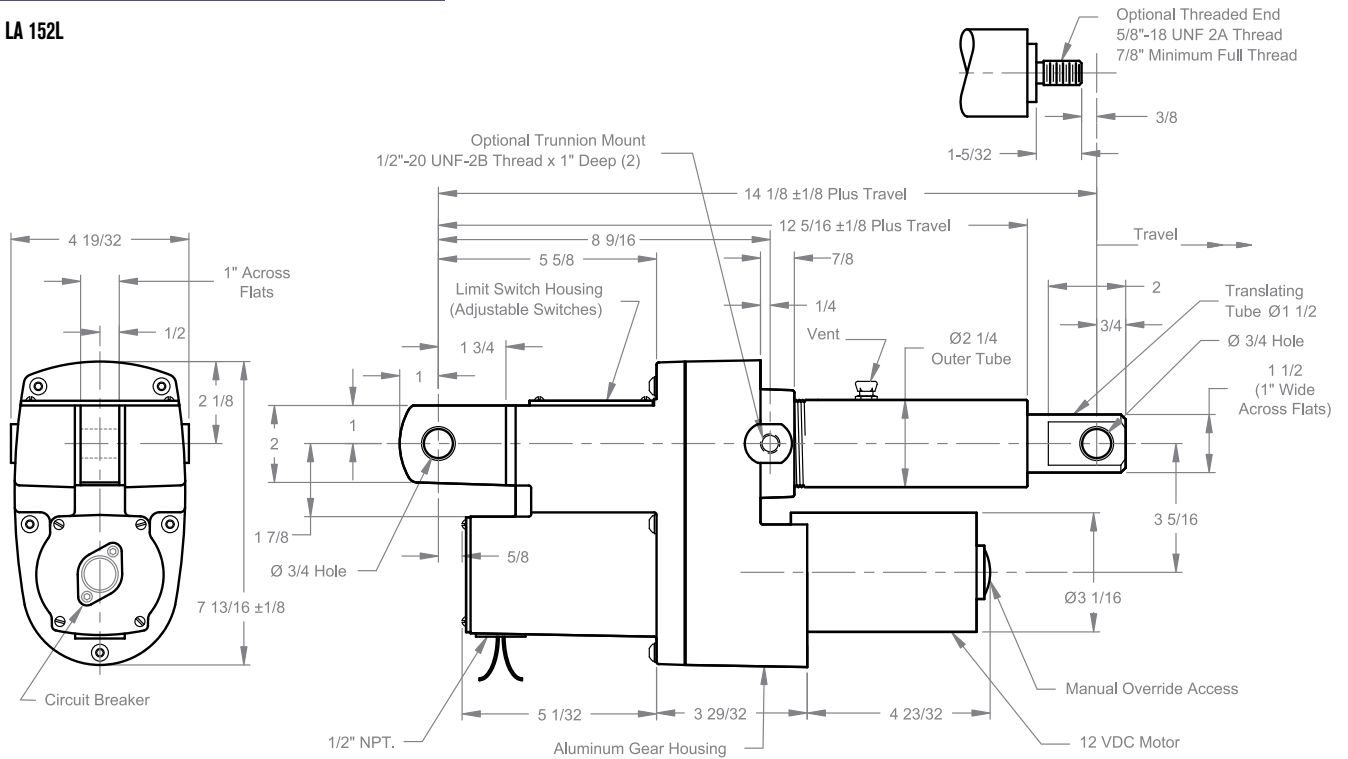
Rise	
Rise	Code
3"	03
6"	06
12"	12
18"	18
24"	24

Mounting Style	
LA152 (DC)	LA155 (AC)
	
SC=Standard Clevis	TM=Trunnion Mount

LINEAR ACTUATORS

1500 POUND DC WITH LIMIT SWITCH

LA 152L



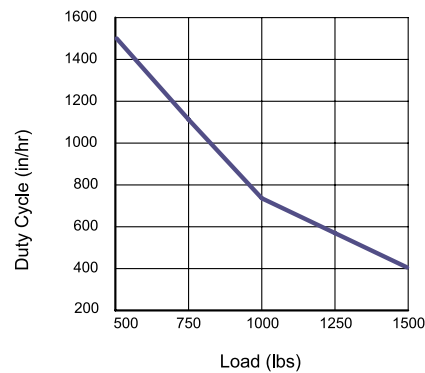
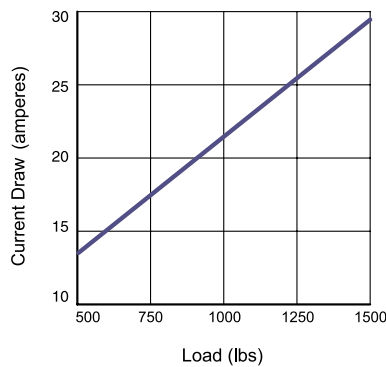
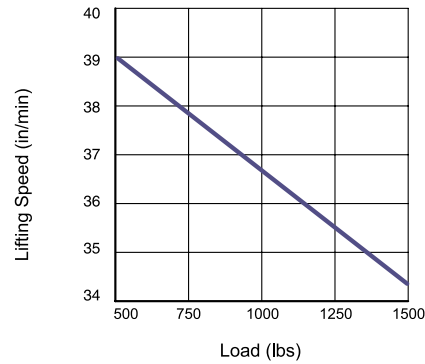
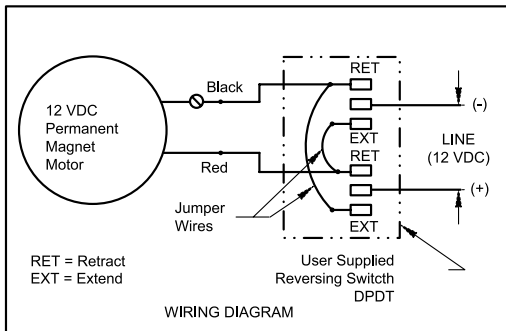
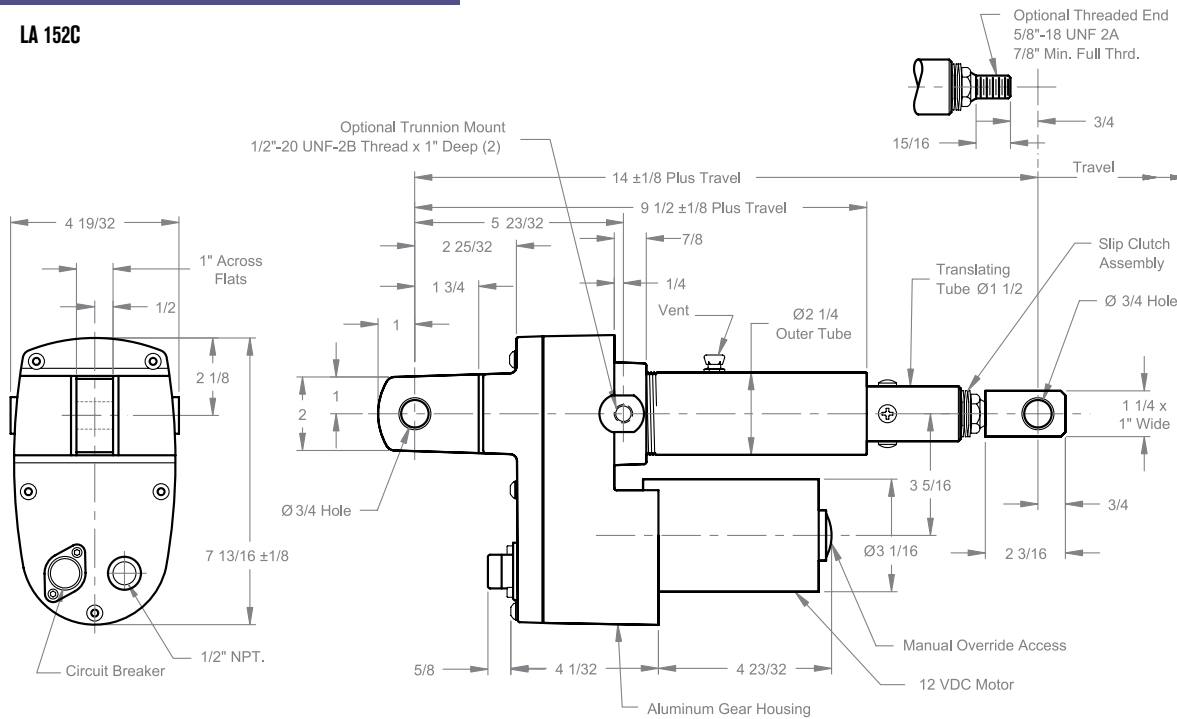
Duty Cycle ratings represent total travel per hour with equally timed intervals between cycles.

Note: Drawings are artist's conception — not for certification; dimensions are subject to change without notice.

LINEAR ACTUATORS

1500 POUND DC WITH SLIP CLUTCH

LA 152C



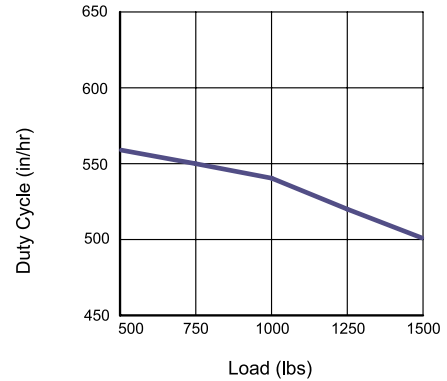
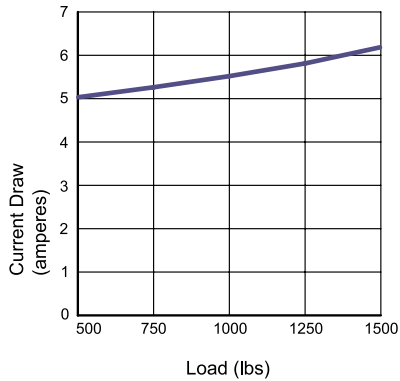
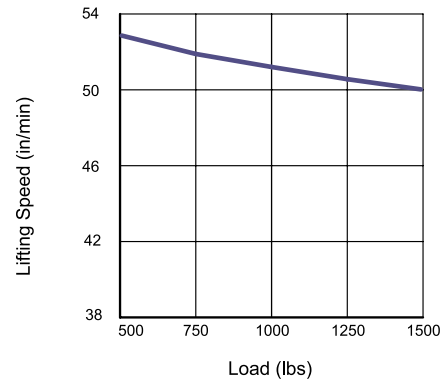
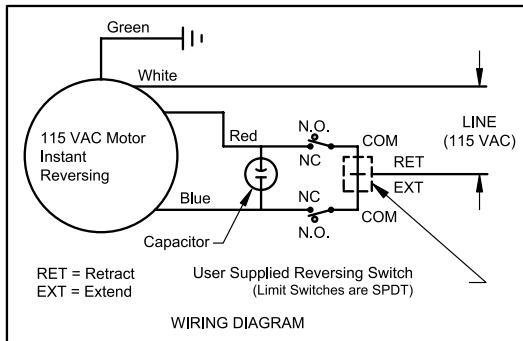
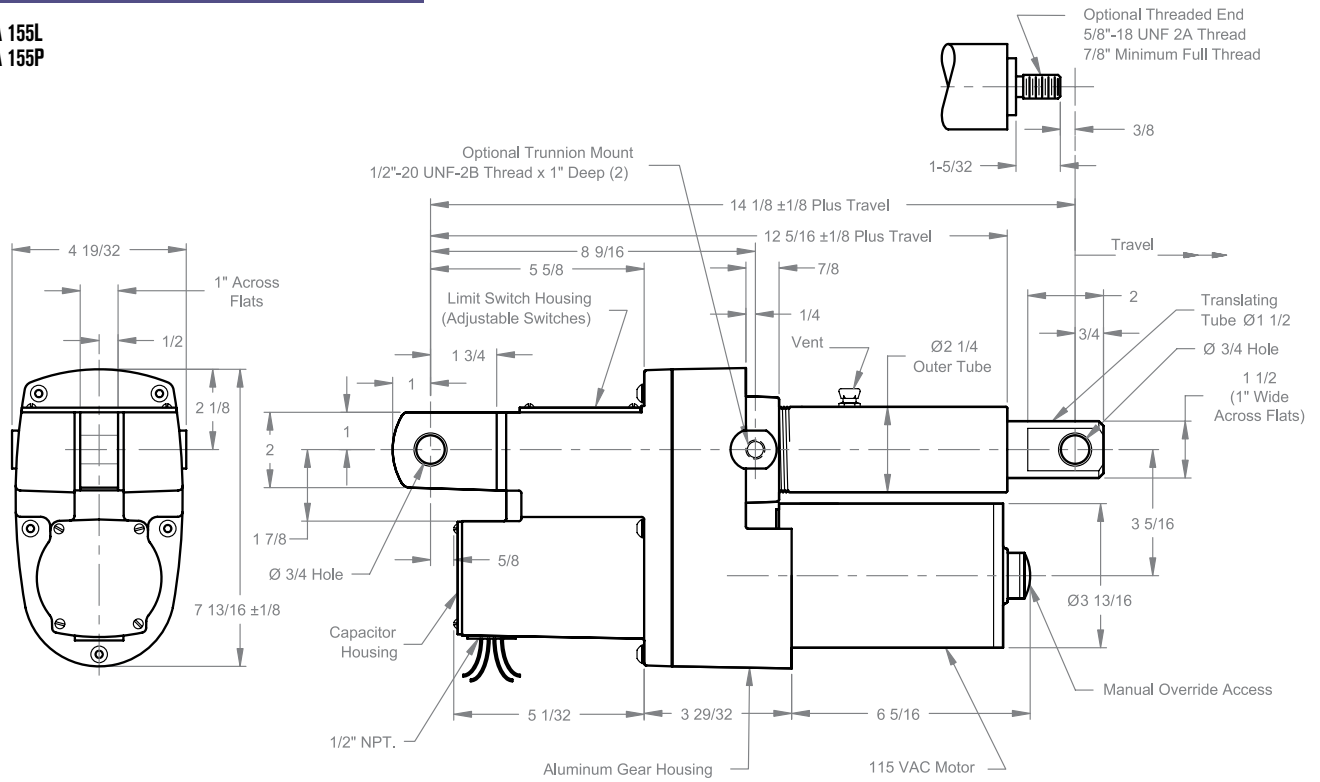
Duty Cycle ratings represent total travel per hour with equally timed intervals between cycles.

Note: Drawings are artist's conception — not for certification; dimensions are subject to change without notice.

LINEAR ACTUATORS

1500 POUND AC WITH LIMIT SWITCH

LA 155L
LA 155P



Duty Cycle ratings represent total travel per hour with equally timed intervals between cycles.

Note: Drawings are artist's conception — not for certification; dimensions are subject to change without notice.