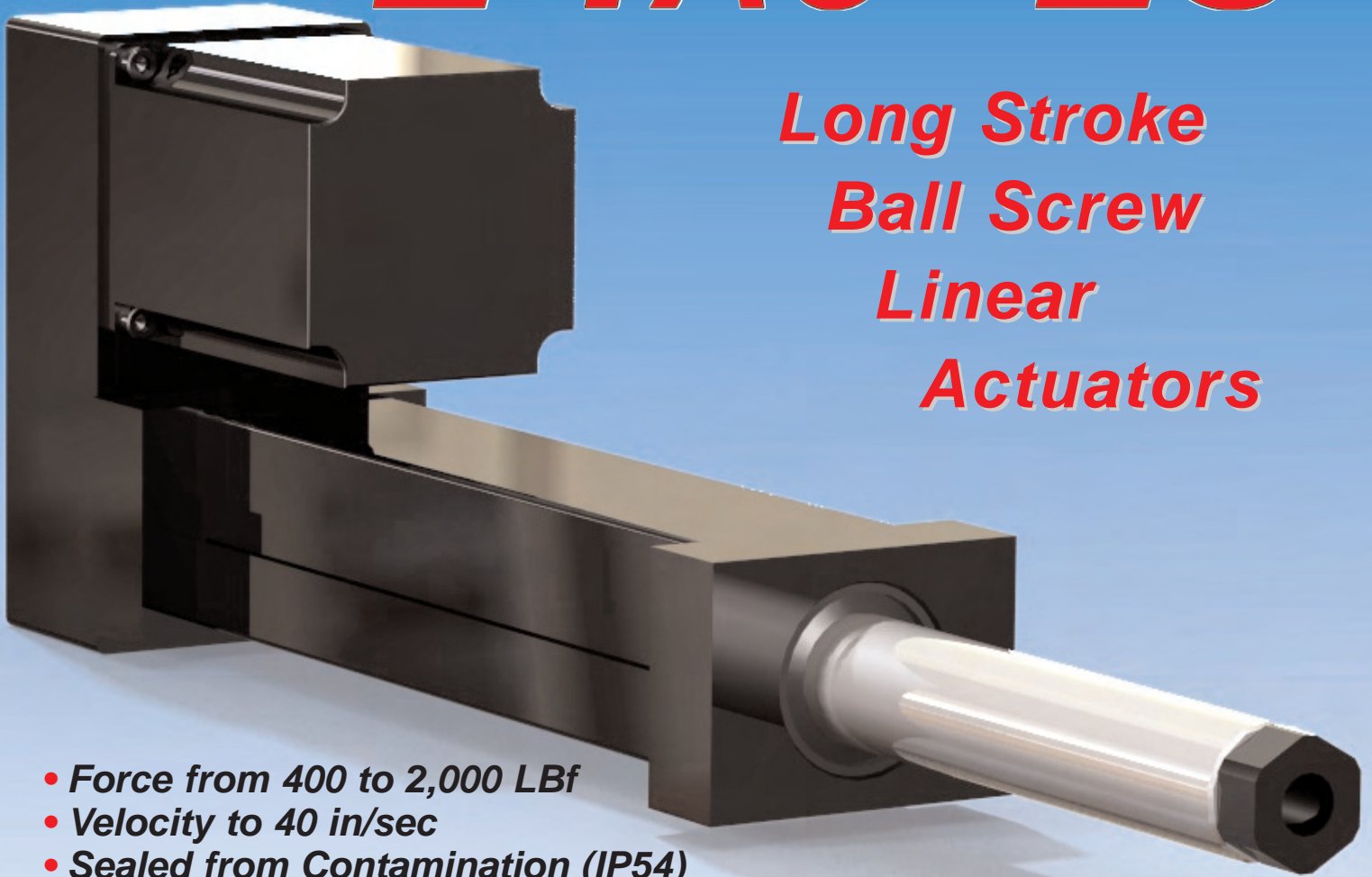


L-TAC LS™

Long Stroke Ball Screw Linear Actuators



- Force from 400 to 2,000 LBF
- Velocity to 40 in/sec
- Sealed from Contamination (IP54)
- Adjustable Limit Switch Positions
- Piston with Rugged Anti-Rotation

L-TAC LS™ Linear Actuator Capabilities:

Model Number	Thrust Load Rated (lb _f)	Linear Velocity Max. (in/sec)	Travel Length ⁽¹⁾ Max. (in)	Frame Size (in)	Lead ⁽²⁾ (in)	Ball Screw Diameter (in)	Ball Screw Max. (RPM)	Torque @ Ball Screw Max. (in-lb)	Dynamic Capacity per million revs (lb _f)	Dynamic Capacity per million inches (lb _f)	Motor Gearhead Frame Supported Max. (in)	Unit Weight "U" Motor Mount (lb)	Unit Weight "L" Motor Mount (lb)
LS204-24	400	16	24	2.25	0.50	0.50	1,920	35	1,070	850	3.5	15.0	13.5
LS204-30	400	11	30	2.25	0.50	0.50	1,320	35	1,070	850	3.5	18.0	16.5
LS204-36	400	8	36	2.25	0.50	0.50	960	35	1,070	850	3.5	21.0	19.5
LS209-24	900	9	24	2.25	0.20	0.63	2,700	32	1,070	850	3.5	15.0	13.5
LS209-30	900	8	30	2.25	0.20	0.63	2,400	32	1,070	850	3.5	18.0	16.5
LS209-36	900	5	36	2.25	0.20	0.63	1,500	32	1,070	850	3.5	21.0	19.5
LS305-30	500	40	30	3.25	1.00	1.00	2,400	88	2,300	2,300	4.5	35.2	32.0
LS305-36	500	36	36	3.25	1.00	1.00	2,160	88	2,300	2,300	4.5	40.2	37.0
LS305-42	500	33	42	3.25	1.00	1.00	1,980	88	2,300	2,300	4.5	45.2	42.0
LS305-48	500	25	48	3.25	1.00	1.00	1,500	88	2,300	2,300	4.5	50.2	47.0
LS310-30	1,000	20	30	3.25	0.50	1.00	2,400	88	5,350	4,250	4.5	35.2	32.0
LS310-36	1,000	18	36	3.25	0.50	1.00	2,160	88	5,350	4,250	4.5	40.2	37.0
LS310-42	1,000	16.5	42	3.25	0.50	1.00	1,980	88	5,350	4,250	4.5	45.2	42.0
LS310-48	1,000	12.5	48	3.25	0.50	1.00	1,500	88	5,350	4,250	4.5	50.2	47.0
LS320-30	2,000	10	30	3.25	0.25	1.00	2,400	88	5,475	3,450	4.5	35.2	32.0
LS320-36	2,000	9	36	3.25	0.25	1.00	2,160	88	5,475	3,450	4.5	40.2	37.0
LS320-42	2,000	8.25	42	3.25	0.25	1.00	1,980	88	5,475	3,450	4.5	45.2	42.0
LS320-48	2,000	6.25	48	3.25	0.25	1.00	1,500	88	5,475	3,450	4.5	50.2	47.0

(1) Intermediate lengths are available. (2) Lead accuracy is 0.003 in/ft; Backlash is 0.004 in max.

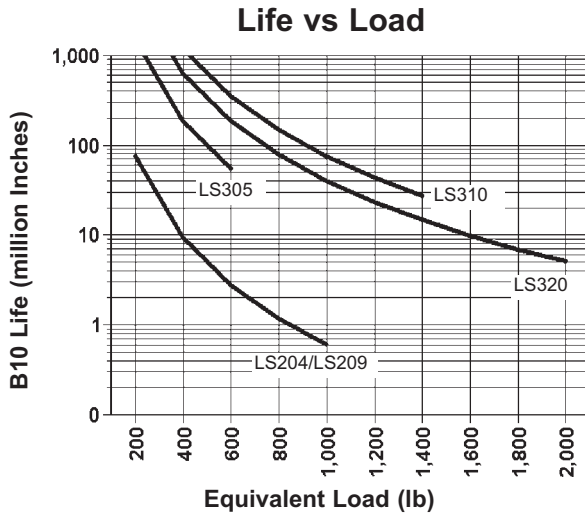


Precision Mechanical
Products



For Application Support
Call us Today at **800-878-1157**
Fax: 860-953-0496
Tel: 860-953-0588

Graph: Life Vs. Load



EQUIVALENT LOAD is the average force over the working stroke, weighted proportionately to the distance traveled. For constant force loads, the equivalent load is the same as the typical or average load. Where forces vary due to gravity, angle of actuator, acceleration and deceleration, friction, and changing dynamic loads at different positions, it is best to determine the equivalent load in order to most accurately predict the B10 life of the actuator.

$$F = \sqrt[3]{\frac{L_1(F_1)^3 + L_2(F_2)^3 + L_3(F_3)^3 + L_4(F_4)^3 + \dots + L_n(F_n)^3}{L}}$$

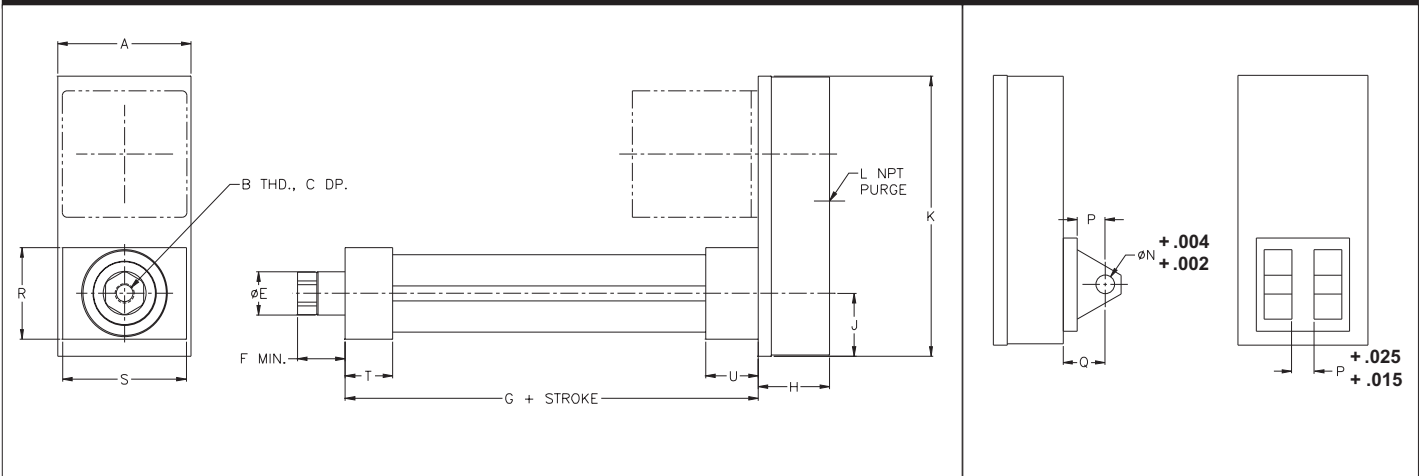
Where: F_n is the calculated force for segment "n" with travel length of L_n and total travel L .

Find the intersection of this value and the appropriate curve. The value on the scale to the left reflects the B10 life of the actuator.

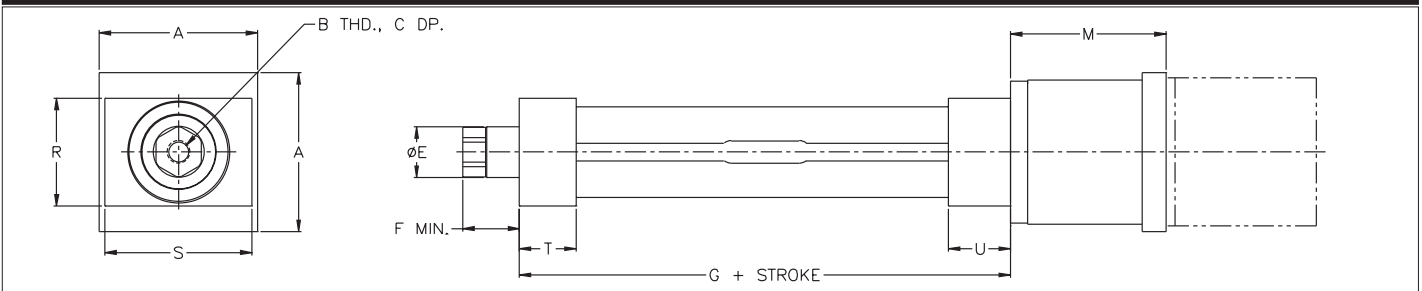
L-TAC LS™ General Dimensions

U-Parallel Offset Motor Configuration

Rear Clevis Dimensions



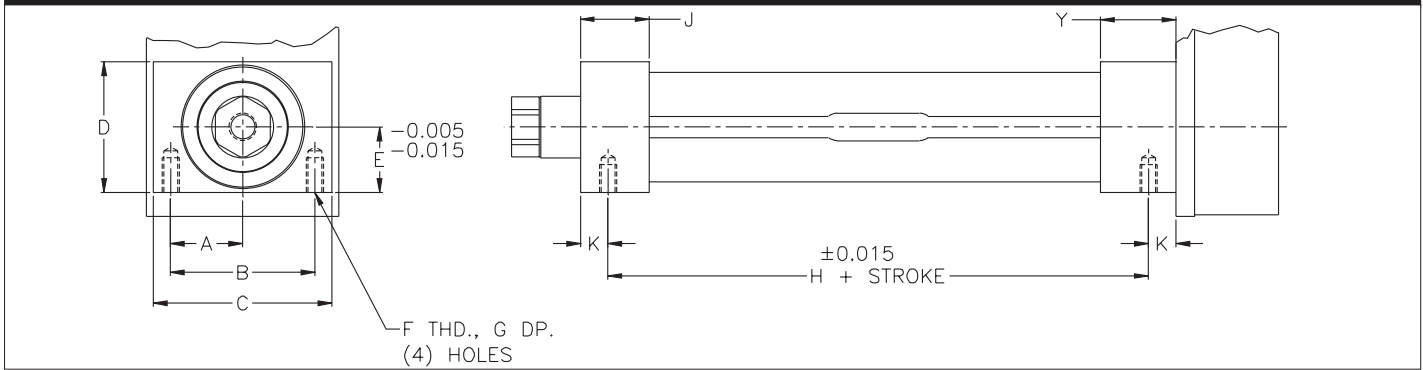
L-Inline Motor Configuration



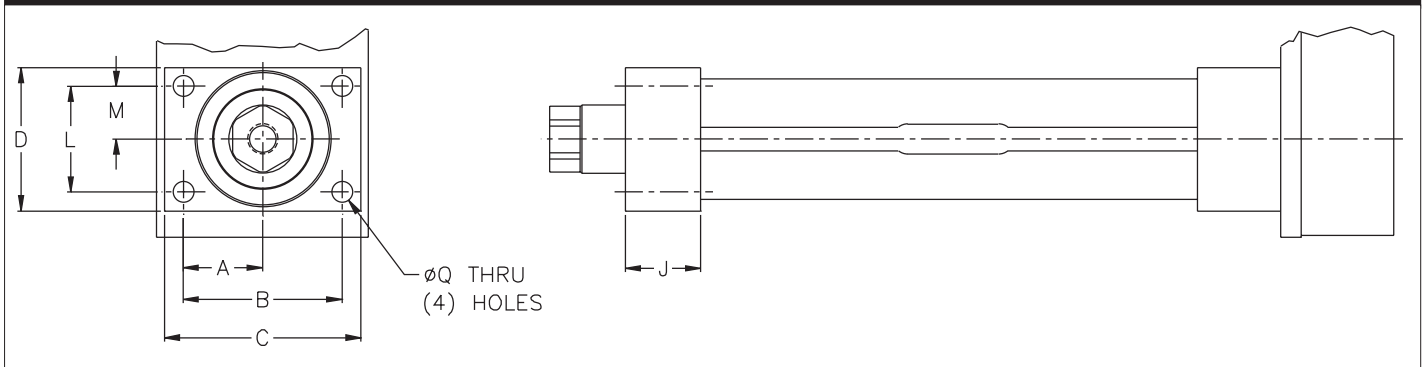
VecTac VT U-Parallel Offset, L-Inline and Rear Clevis Dimensions

Model	A	B	C	D	E	F	G	H	J	K	L	M	N	P	Q	R	S	T	U
LS204	3.50	1/2-20	0.63	2.25	1.13	1.25	7.84	1.88	1.63	7.25	1/8	3.44	0.50	0.75	1.13	2.38	3.25	1.00	1.00
LS209	3.50	1/2-20	0.63	2.25	1.13	1.25	7.84	1.88	1.63	7.25	1/8	3.44	0.50	0.75	1.13	2.38	3.25	1.00	1.00
LS305	4.50	3/4-16	0.88	3.25	1.75	1.40	10.16	2.47	2.38	9.63	1/8	3.97	0.75	1.25	1.88	3.38	4.50	1.25	1.38
LS310	4.50	3/4-16	0.88	3.25	1.75	1.50	10.16	2.47	2.38	9.63	1/8	3.97	0.75	1.25	1.88	3.38	4.50	1.25	1.38
LS320	4.50	3/4-16	0.88	3.25	1.75	1.50	10.16	2.47	2.38	9.63	1/8	3.97	0.75	1.25	1.88	3.38	4.50	1.25	1.38

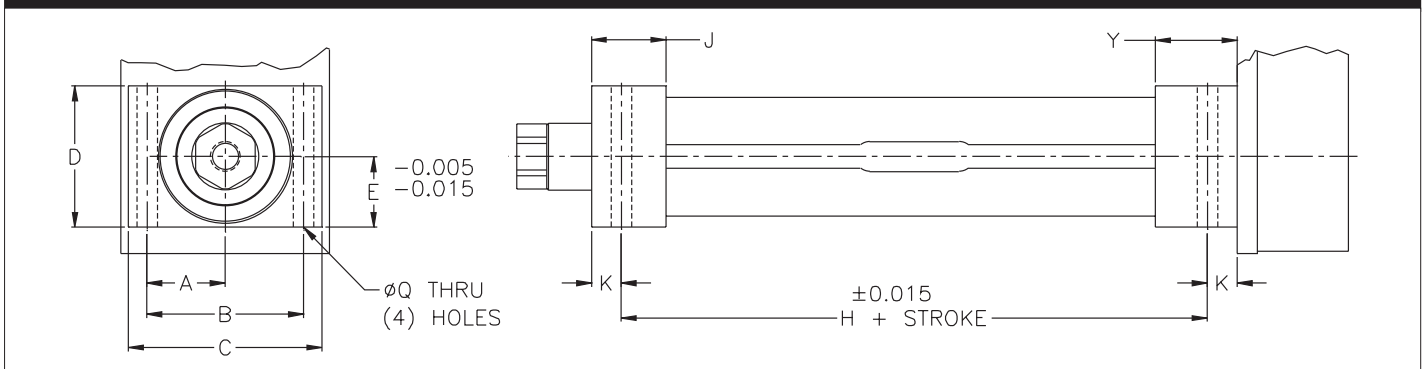
Bottom Mount Dimensions



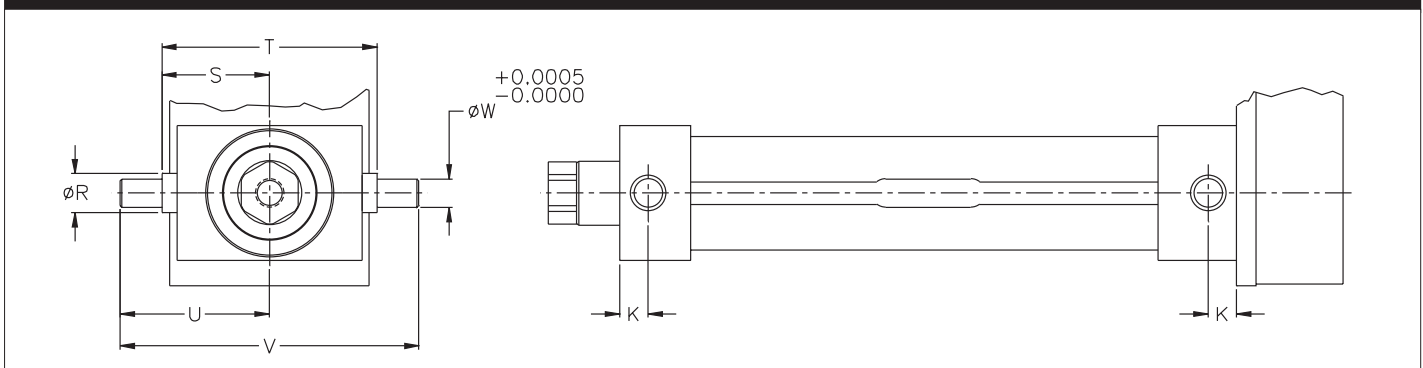
Front Flange Dimensions



Foot Mount Dimensions



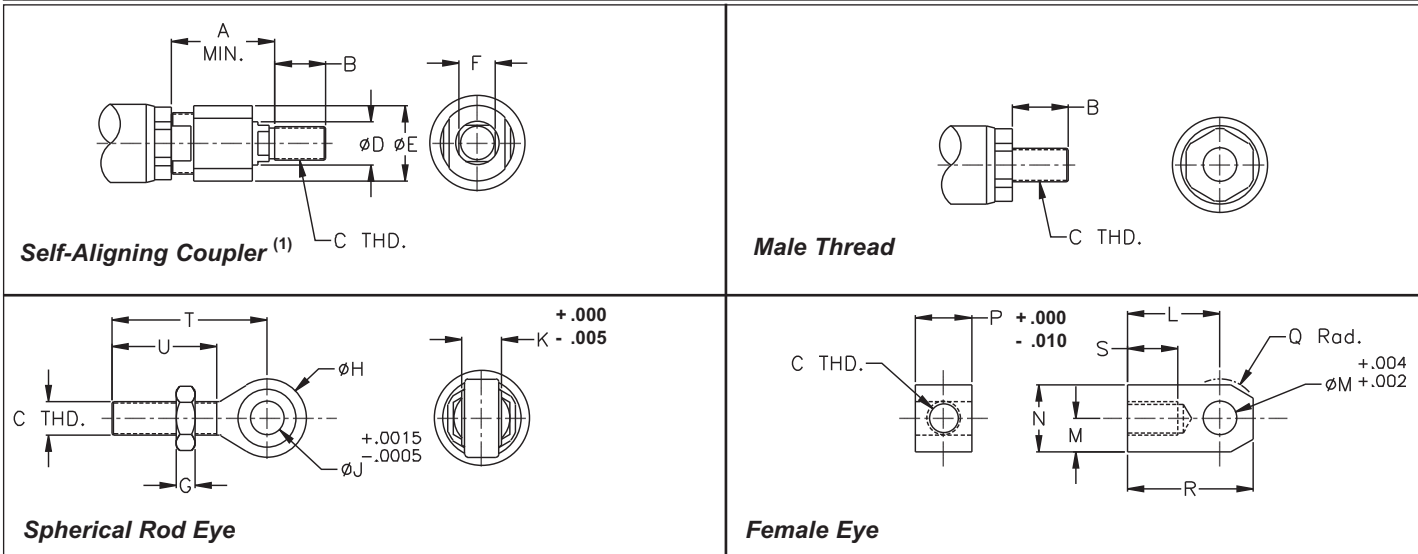
Trunnion Mount Dimensions



Unit Mounting Dimensions

Model	A	B	C	D	E	F	G	H	J	K	L	M	N	P	Q	R	S	T	U	V	W	X	Y
LS2	1.31	2.63	3.25	2.38	1.19	5/16-18	0.63	6.84	1.00	0.50	1.75	0.88	2.25	0.25	0.34	0.69	1.89	3.78	2.63	5.25	0.50	4.22	1.00
LS3	1.88	3.75	4.50	3.38	1.69	3/8-16	0.75	9.16	1.25	0.50	2.63	1.31	3.25	0.25	0.41	0.94	2.52	5.03	3.50	7.00	0.75	6.28	1.38

Rod End Options



Rod End Options

Model	A	B	C	D	E	F	G	H	J	K	L	M	N	P	Q	R	S	T	U
LS2	2.00	0.75	1/2-20	0.63	1.25	0.56	0.31	1.31	0.50	0.63	1.50	0.50	1.00	0.75	0.63	2.00	0.75	2.44	1.50
LS3	2.31	1.13	3/4-16	0.97	1.75	0.88	0.42	1.75	0.75	0.88	2.06	0.75	1.50	1.25	0.88	2.81	1.13	2.88	1.75

(1) Zero backlash version also available

How To Order:

Base Number	Options	Special
<p>L S [] [] [] - [] [] - [] [] - [] [] - [] []</p> <p>Frame Size (in): 2,3</p> <p>Capacity (lb): x100</p> <p>Standard Stroke Length (in): [] []</p> <p>Unit Mounting Option: MB Bottom Mount MF Foot Mount</p> <p>Vertical Mounting Only: FF Front Flange TF Front Trunnion TR Rear Trunnion CR Rear Clevis</p> <p>End Effector/Rod End: E Female Eye F Female Thread A Self-Aligning Coupler M Male Thread S Spherical Rod Eye</p> <p>Configuration: L- In-Line U- Parallel Offset</p>	<p>[] [] - [] [] - [] [] - [] [] - [] []</p> <p>Gearbelt Reduction: 00- Direct Coupled 10- 1:1 20- 2:1</p> <p>Motor Position 1, 2, 3, 4 0 = Inline (refer to figure)</p>	<p>[] [] [] []</p> <p>Custom Length (in): 00.00</p> <p>N.C. Switch Qty: 0, 1, 2, 3, etc.</p> <p>N.O. Switch Qty: 0, 1, 2, 3, etc.</p> <p>Switch Type: A - Hall Sourcing PNP B - Hall Sinking NPN C - Reed</p>



The products shown in this catalog are intended for industrial use only and should not be used to lift, support or otherwise transport people, unless written authorization is obtained. The information provided in this catalog is believed to be accurate and reliable. However, E-DRIVE assumes no responsibility for its use or for any errors that may appear in this document. This information in this publication is subject to change without notice.

For Application Support **800-878-1157**
Call us Today at **Fax: 860-953-0496**
 Tel: 860-953-0588