

SR/SK

CUSTOMER-SPECIFIC SOLUTIONS | SR/SK INDEXING MACHINE BASES



CUSTOMER-SPECIFIC SOLUTIONS: A SYSTEM OF MATCHED COMPONENTS

ADVANTAGES

- **Guaranteed quality**
No nasty surprises. We produce and supply your machine from a single source as per your own specifications in terms of design, precision, dimensions and even colour – all guaranteed and documented. You receive a test report with every machine.
- **Fastest delivery time**
There's no need to reinvent the wheel: based on optimised standards, we implement your solution precisely with a keen focus on your goals and requirements. We then supply your machine within four to eight weeks.
- **Time and cost savings**
Reduced total costs through assumption of project management and engineering work, no interface problems and one allocated contact.
- **Surface treatment**
We are happy to offer all components in whatever surface finish you desire:
 - Anodised (available in 5 standard colours, others on request, Al)
 - Hard-coated (Al)
 - Bronzed (steel)
 - Nickel-plated (Al or steel)

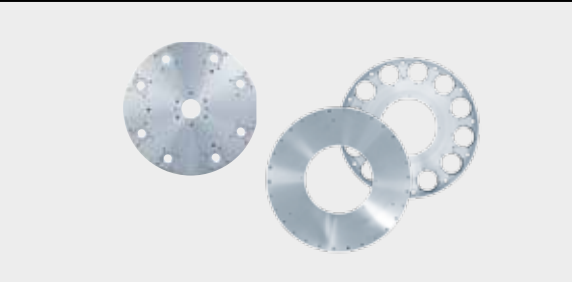
BASIC IDEA>



INDEXING MACHINE BASES



STATIONARY AND ROTARY PLATES



EXAMPLES>

**INDIVIDUAL, CUSTOMISED
DESIGNS**

CUSTOM EQUIPMENT

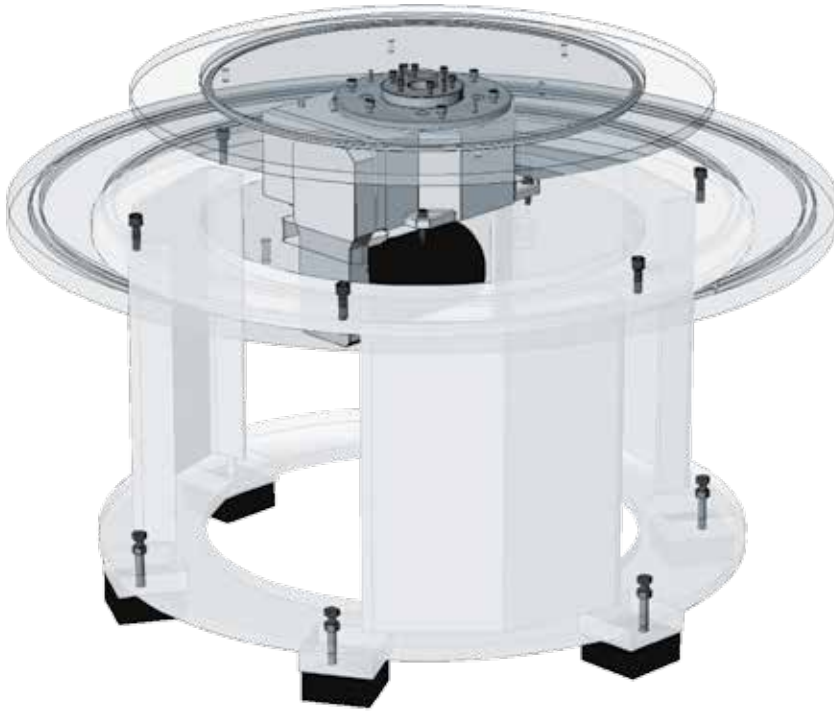


Tried-and-tested standard modules form the basis for perfectly matched system solutions. From the design, through the requisite precision and dimensions, all the way up to the colour: customers can select all parameters individually. You receive an acceptance certificate and the confidence of knowing that everything works together perfectly. Take advantage of our complete package for rotary table-based basic machines.

We support you in optimising time, costs and resources when creating your system. You have a single contact and receive everything from a single source, so you do not need to worry about interface problems.



**FINAL INSPECTION
AND TEST PROTOCOL**



SR SERIES

SPECIAL FEATURES:

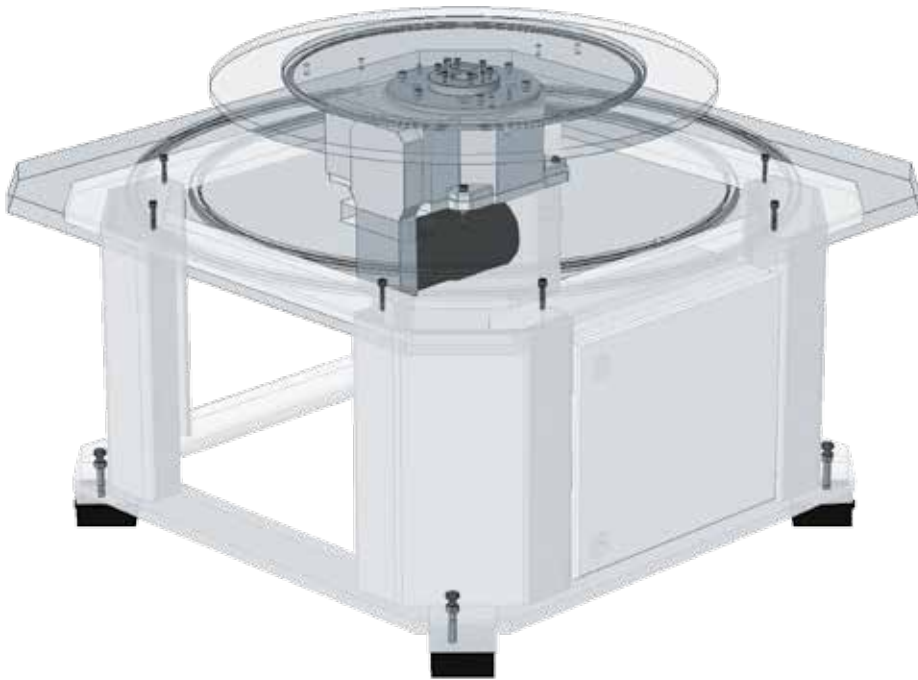
- Standard sizes:
SR 100B, SR 200B, SR 300B, SR 400B, SR 500B
- 2 - 4 standard ribbed legs depending on diameter (custom arrangement available on request)
- Customised diameters
- Customised sizes available upon request

ROTARY INDEXING TABLES

- Select the rotary indexing table suitable for your application
- Series TC/NC, TR/NR, TW, TO, CR all are available in various model sizes
- The overall height of your machine will be determined by the height of the indexing unit used and the length of the support legs.
- Laser measurement of the indexing precision possible on request

ROTARY PLATE

- Ultimate precision and machining on the latest CNC drilling machines in climate-controlled rooms
- Dimensions, manufacturing and surface treatments according to your specification
- Supplied with a quality certificate



SK SERIES

SPECIAL FEATURES:

- Standard sizes: SK 100B, SK 200B, SK 300B
- Integrated switch cabinets available
- Any edge dimensions possible
- Customised sizes available upon request

BASE PLATES

- Round, square or rectangular
- Dimensions, material and processing according to your specification
- Machining according to your drawing
- T-slots possible
- Cable ducts standard

STATIONARY PLATE

- With integrated lip seal between stationary and rotating indexing plate
- In aluminium or steel, manufactured according to your drawing
- T-grooves possible for variable module arrangement

BASE FRAMES

- Round and square standard sizes
- Height adjustment possible
- Customised design upon request
- High quality rigid fabricated construction
- Control cabinets for the square model
- Height-adjustable and shock-absorbing feet

SR SERIES

TABLE OF DIMENSIONS FOR STANDARD VERSION (Attention! New type designation)

Type	Recommended rotary table type	ØA (Standard)	B	B*	H	ØI	ØJ	ØK
SR 100B	TC/NC 150 – 320T, TW 150 – 300A TO 150 – 220C, CR 300C	1300	35	40	575	960	615	960
SR 200B	TC/NC 220 – 320T, TC 500T, CR 400C TR/NR 750, PM 1100, TO 750C, TW 200 – 300A	1500	35	40	485	1200	815	1200
SR 300B	TC/NC 320T, TC 500T, TC 700T, TW 300 TR/NR 750, TR/NR 1100, PM 1500, CR 400 – 700C	1800	35	40	615	1350	967	1350
SR 400B	TC 500 – 700T, TR/NR 1100, TR/NR 1500 CR 700 – 1000C	2200	35	40	690	1800	1357	1800
SR 500B	TR/NR 1500, TR/NR 2200, CR 1000–1300C	2500	35	40	656	2200	1700	2200

General tolerances in conformity with DIN ISO 2768-m. Special tolerances upon request/dimensions variable.

* with T-slots

Notes: For the permissible loads of the stationary or rotary indexing plates, please refer to the "Rotary indexing table" chapter. Special machining according your drawing.

Rotary indexing ring table with base frame and raised supports

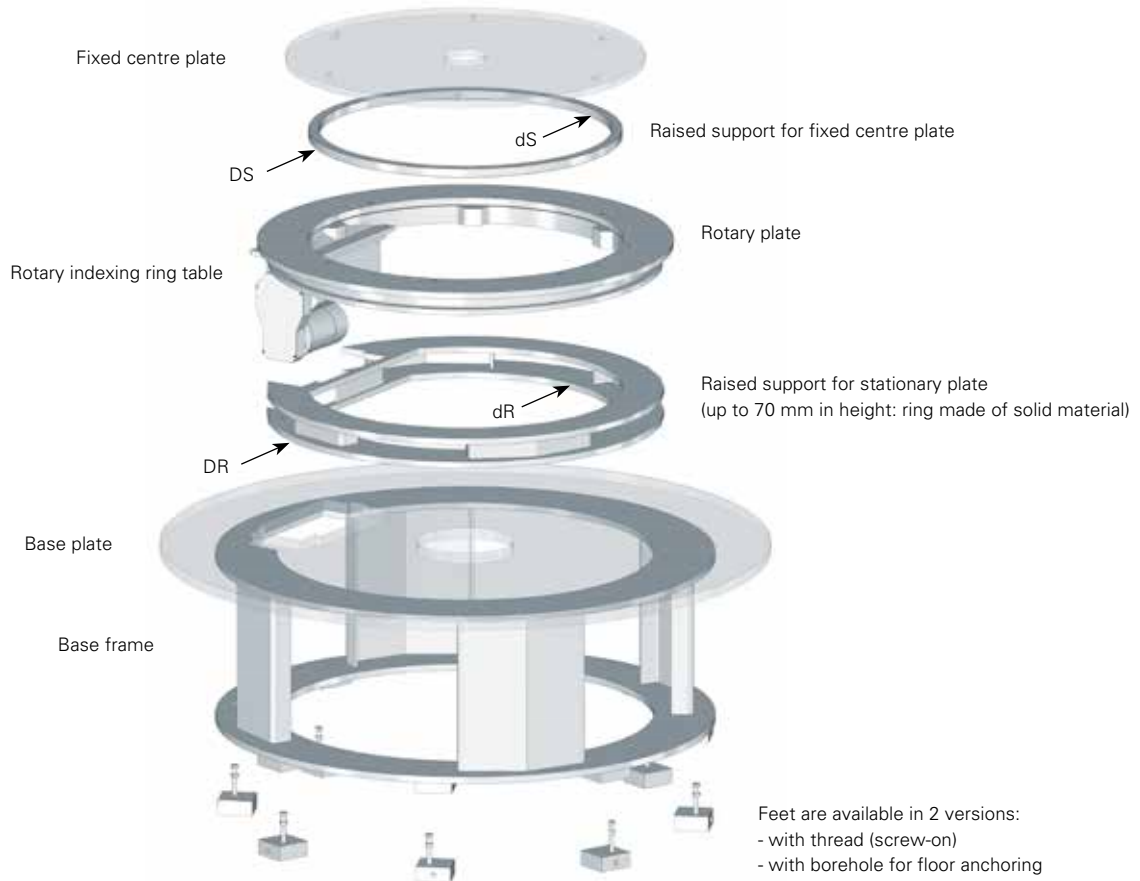
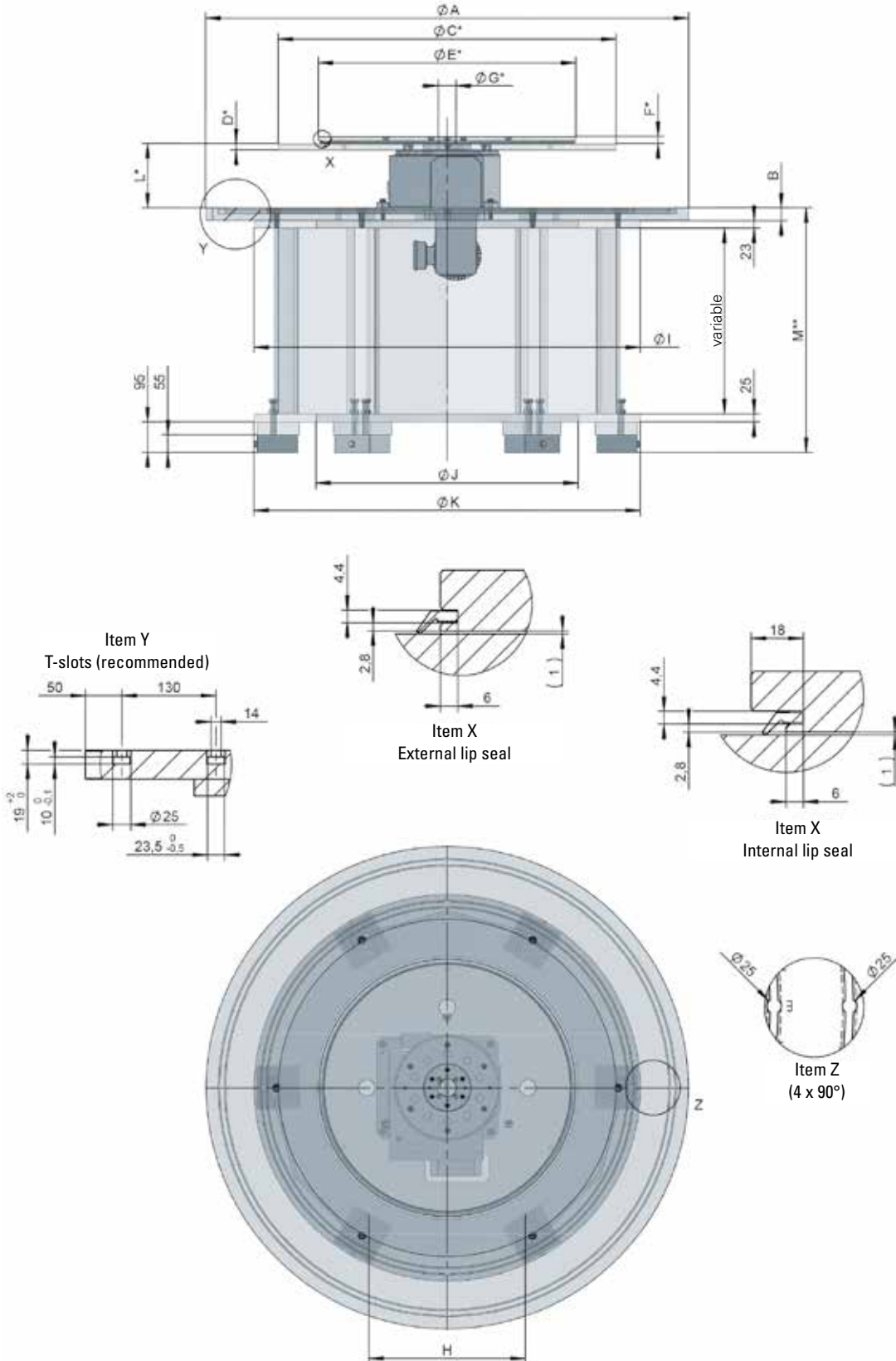


TABLE OF DIMENSIONS FOR RAISED SUPPORTS Raised supports are optionally available for TR/NR rotary indexing rings tables.

Table type	Raised support for fixed centre plate			Raised support for rotary indexing ring tables		
	ØDS	ØdS	Height	ØDR	ØdR	Height
TR/NR 750	485	410	21.5	770	440	variable
TR/NR 1100	795	720	32	1100	740	variable
TR/NR 1500	1130	1055	32	1420	1080	variable
TR/NR 2200	1745	1655	37	2200	1660	variable

DIMENSIONS

Please download the selected machine base from the internet (in 2D or 3D) directly into your CAD drawing. This will ensure you are using the latest model.



* For recommended dimensions and diameters, see "Rotary tables"

** Distance M varies according to the ridge height and can be changed by ± 3 mm by adjusting the feet

SK SERIES

TABLE OF DIMENSIONS FOR STANDARD VERSION (Attention! New type designation)

Type	Recommended rotary table type	□A (Standard)	B	B*	H	□I	□J	□K
SK 100B	TC/NC 150 – 320T, TW 150 – 300A TO 150 – 220C, CR 300C	1300	35	40	410	1000	615	1000
SK 200B	TC/NC 220–320T, TW 200–300A TR/NR 750, CR 400, TO 750C	1480	35	40	610	1300	1007	1300
SK 300B	TC/NC 320T, TC 500 – 700T, TW 300A, TR/NR 750, TR/NR 1100, CR 400 – 700C, PM 1100, PM 1500	1800	35	40	710	1610	1310	1610

General tolerances in conformity with DIN ISO 2768-m. Special tolerances upon request/dimensions variable.

* with T-slots

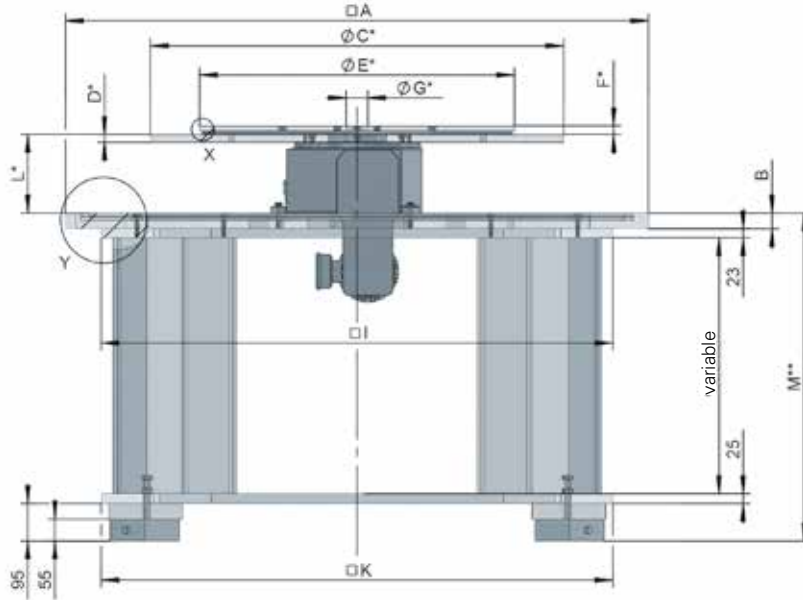
Notes: For the permissible loads of the stationary or rotary indexing plates, please refer to the „Rotary indexing table“ chapter. Special machining according your drawing.



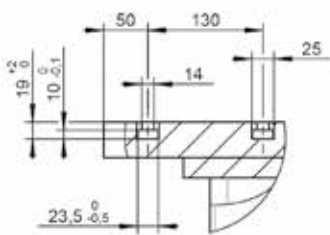
Example detailing SK300B, TC320T, dial and stationary plates.

DIMENSIONS

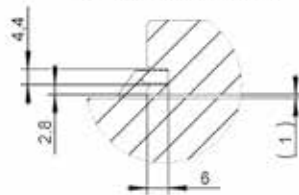
Please download the selected machine base from the internet (in 2D or 3D) directly into your CAD drawing. This will ensure you are using the latest model.



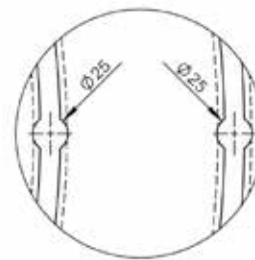
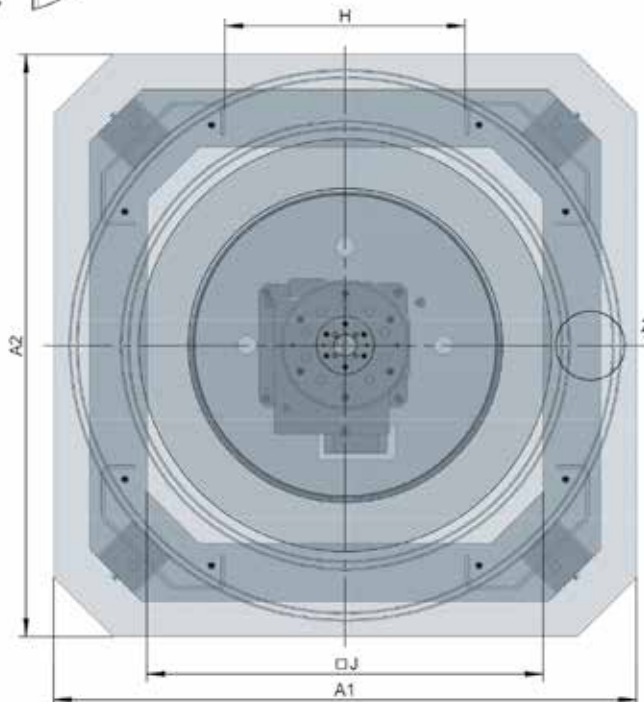
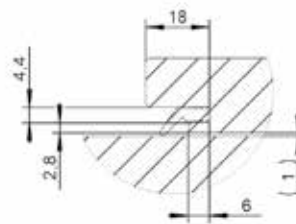
Item Y
T-slots (recommended)



Item X
External lip seal



Item X
Internal lip seal



Item Z
(4 x 90°)

* For recommended dimensions and diameters, see "Rotary indexing tables"

** Distance M varies according to the ridge height and can be changed by ±3 mm by adjusting the feet